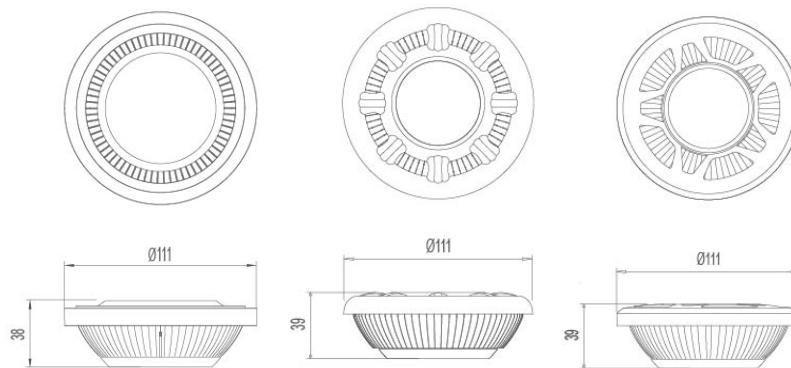


AR111 Nichia series

- No flicker
- Recyclable
- Double insulation
- Short circuit protection
- Overloading protection
- Overheating protection
- Over voltage protection



- ▶ Dimension Ø111mm
- ▶ CRI(Ra) >85
- ▶ Working Temp. -20~+40°C



Color	Base	Input	Power	Color Temperature				Beam Angle
				2700K	3000K	4000K	5700K	
Black/Silver	External Power Supply	AC100~240V	9W	717 lm	753 lm	806 lm	895 lm	30°45°60°
			12W	922 lm	968 lm	1036 lm	1151 lm	
			15W	1229 lm	1290 lm	1381 lm	1535 lm	

