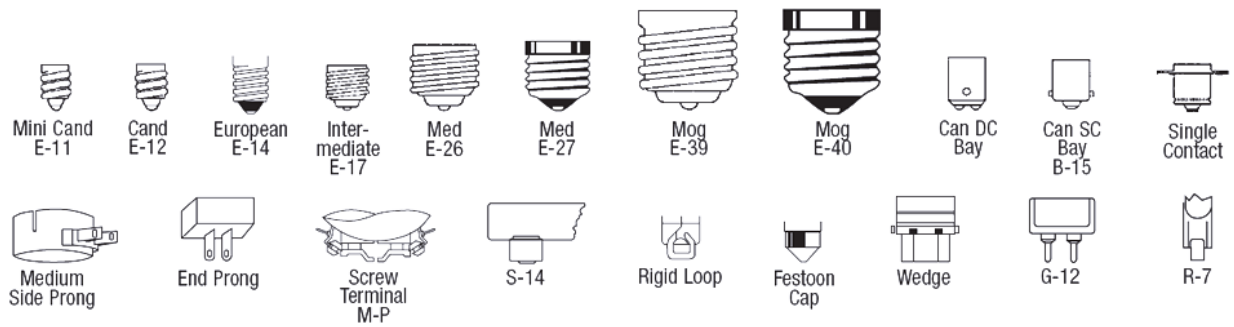
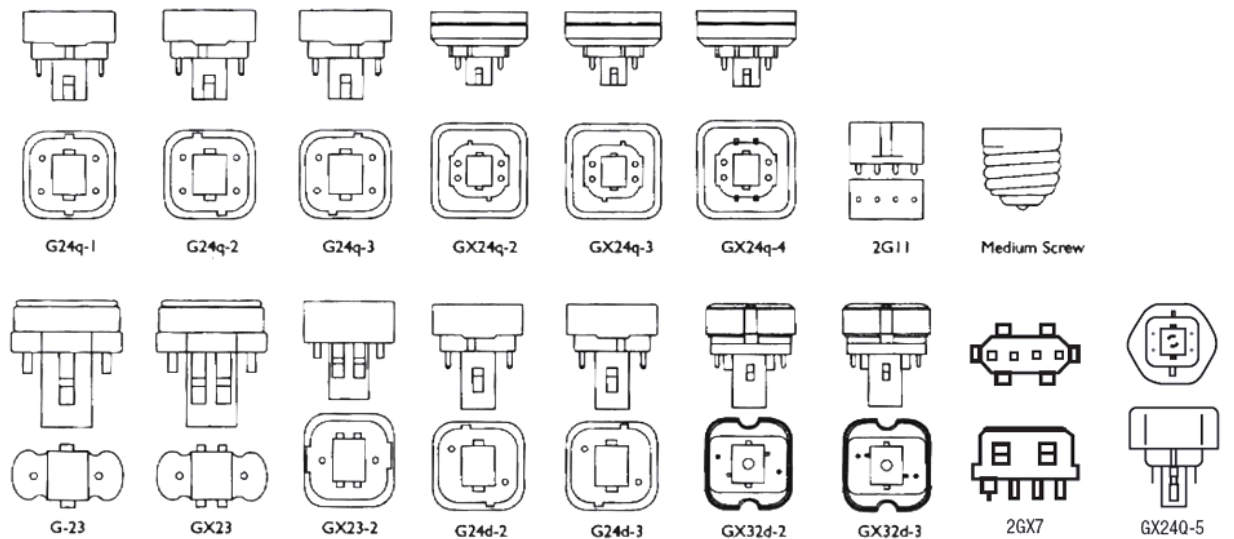


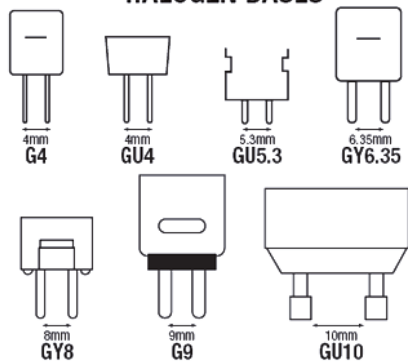
# Base Types



## COMPACT FLUORESCENTS BASES (Not Actual Sizes)



## HALOGEN BASES



## FLUORESCENT BASES

